

# SURREY TUNGSTEN CARBIDE TOOLS

## SC 58mm Thru-Hole Boring Bits

D mm	CL mm	d mm	OL mm	ID Nr RH/LH
3	25	10	58	7300-030-20/21SC
5	25	10	58	7300-050-20/21SC
8	25	10	58	7300-080-20/21SC
D inch	CL mm	d mm	OL mm	ID Nr RH/LH
1/8	25	10	58	7300-032-20/21SC

## SC 70mm Thru-Hole Boring Bits

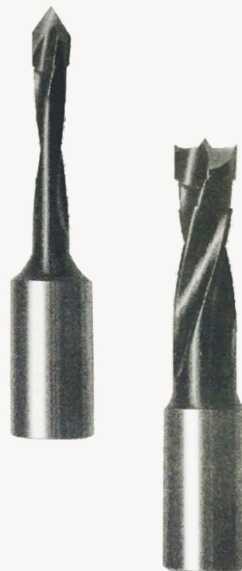
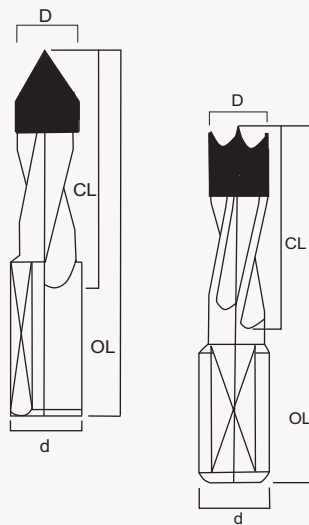
D mm	CL mm	d mm	OL mm	ID Nr RH/LH
3	35	10	70	7400-030-30/31SC
4	35	10	70	7400-040-30/31SC
5	35	10	70	7400-050-30/31SC
6	35	10	70	7400-060-30/31SC
7	35	10	70	7400-070-30/31SC
8	35	10	70	7400-080-30/31SC
10	35	10	70	7400-100-30/31SC
D inch	CL mm	d mm	OL mm	ID Nr RH/LH
1/8	35	10	70	7400-032-30/31SC
1/4	35	10	70	7400-635-30/31SC

## CT 58mm Thru-Hole Boring Bits

D mm	CL mm	d mm	OL mm	ID Nr RH/LH
5	35	10	58	7300-050-20/21
6	35	10	58	7300-060-20/21
7	35	10	58	7300-070-20/21
8	35	10	58	7300-080-20/21
9	35	10?	58	7300-090-20/21
10	35	10	58	7300-100-20/21
D inch	CL mm	d mm	OL mm	ID Nr RH/LH
1/4	35	10	58	7300-635-20/21

## CT 70mm Thru-Hole Boring Bits

D mm	CL mm	d mm	OL mm	ID Nr RH
5	47	10	70	7400-050-30/31
6	47	10	70	7400-060-30/31
7	47	10	70	7400-070-30/31
8	47	10	70	7400-080-30/31
9	47	10	70	7400-090-30/31
10	47	10	70	7400-100-30/31
D inch	CL mm	d mm	OL mm	ID Nr RH
7/32	47	10	70	7400-055-30/31
1/4	47	10	70	7400-635-30/31
3/8	47	10	70	7400-375-30/31
7/16	47	10	70	7400-111-30/31
1/2	47	10	70	7400-500-30/31



## SC 57mm Brad-Point Boring Bits

D mm	CL mm	d mm	OL mm	ID Nr LH/RH
3	25	10	57	7000-030-00/01SC
4	25	10	57	7000-040-00/01SC
5	25	10	57	7000-050-00/01SC
6	25	10	57	7000-060-00/01SC
7	25	10	57	7000-070-00/01SC
8	25	10	57	7000-080-00/01SC
10	25	10	57	7000-100-00/01SC
D inch	CL mm	d mm	OL mm	ID Nr RH/LH
1/8	25	10	57	7000-032-00/01SC
1/4	25	10	57	7000-635-00/01SC

## SC 70mm Brad-Point Boring Bits

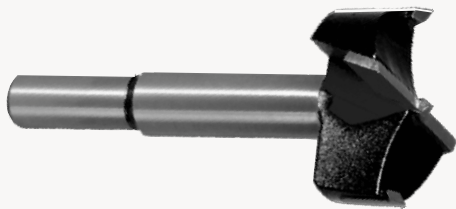
D mm	CL mm	d mm	OL mm	ID Nr RH/LH
3	35	10	70	7100-030-10/11SC
4	35	10	70	7100-040-10/11SC
5	35	10	70	7100-050-10/11SC
6	35	10	70	7100-060-10/11SC
7	35	10	70	7100-070-10/11SC
8	35	10	70	7100-080-10/11SC
10	35	10	70	7100-100-10/11SC
D inch	CL mm	d mm	OL mm	ID Nr RH/LH
1/8	35	10	70	7100-032-10/11SC
1/4	35	10	70	7100-635-10/11SC

## CT 57mm Brad-Point Boring Bits

D mm	CL mm	d mm	OL mm	ID Nr RH/LH
5	27	10	57	7000-050-00/01
6	27	10	57	7000-060-00/01
7	27	10	57	7000-070-00/01
8	27	10	57	7000-080-00/01
9	27	10	57	7000-090-00/01
10	27	10	57	7000-100-00/01
D inch	CL mm	d mm	OL mm	ID Nr RH/LH
7/32	27	10	57	7000-055-00/01
1/4	27	10	57	7000-635-00/01
11/32	27	10	57	7000-087-00/01
3/8	27	10	57	7000-375-00/01
1/2	27	10	57	7000-500-00/01

## CT 70mm Brad-Point Boring Bits

D mm	CL mm	d mm	OL mm	ID Nr RH/LH
5	35	10	70	7100-050-10/11
6	35	10	70	7100-060-10/11
7	35	10	70	7100-070-10/11
8	35	10	70	7100-080-10/11
9	35	10	70	7100-090-10/11
10	35	10	70	7100-100-10/11
D inch	CL mm	d mm	OL mm	ID Nr RH/LH
7/32	35	10	70	7100-055-10/11
1/4	35	10	70	7100-635-10/11
11/32	35	10	70	7100-087-10/11
3/8	35	10	70	7100-375-10/11
7/16	35	10	70	7100-111-10/11
1/2	35	10	70	7100-500-10/11



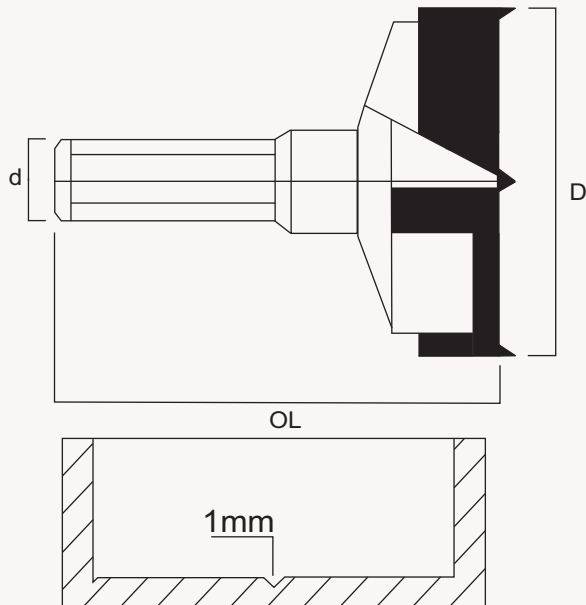
**Item Description:**

10mm shank  
 Excellent finish on hardwood, softwood, plastic laminate and paper covered boards.  
 Two spurs and center point  
 Cylindrical shank with clamping surface and adjustment screw.  
 Rotation: left or right hand

**CT 70mm Hinge Bits Z2+2**

D mm	d mm	OL mm	ID Nr RH/LH
14.3	10X25	70	7500-143-10/11
15	10X25	70	7500-150-10/11
16	10X25	70	7500-160-10/11
16.5	10X25	70	7500-165-10/11
18	10X25	70	7500-180-10/11
19	10X25	70	7500-190-10/11
20	10X25	70	7500-200-10/11
22	10X25	70	7500-220-10/11
25	10X25	70	7500-250-10/11
26	10X25	70	7500-260-10/11
28	10X25	70	7500-280-10/11
30	10X25	70	7500-300-10/11
35	10X25	70	7500-350-10/11

Custom dimensions available on request.



**CT 57mm Hinge Bits Z2+2**

D mm	d mm	OL mm	ID Nr RH/LH
14.3	10X25	57	7500-143-00/01
15	10X25	57	7500-150-00/01
16	10X25	57	7500-160-00/01
16.5	10X25	57	7500-165-00/01
18	10X25	57	7500-180-00/01
19	10X25	57	7500-190-00/01
19.7	10X25	57	7500-197-00/01
20	10X25	57	7500-200-00/01
22	10X25	57	7500-220-00/01
24	10X25	57	7500-240-00/01
25	10X25	57	7500-250-00/01
26	10X25	57	7500-260-00/01
27	10X25	57	7500-270-00/01
28	10X25	57	7500-280-00/01
30	10X25	57	7500-300-00/01
32	10X25	57	7500-320-00/01
35	10X25	57	7500-350-00/01

Custom dimensions available on request.

**Insert Spoilboard Flycutter**

Description	ID Nr
2-1/2" x 14mm sh=1/2" Z2	1000-21/2-14
4" x 14mm sh=3/4" Z3	1000-4-14
Replacement Insert	ID Nr
14mm x 14mm x 2mm	14028



**Technical Informaiton:**

Uses 4 sided solid carbide inserts  
 2-1/2" can run 200-600 IPM max RPM 16,000  
 4" can run 200-600 IPM max RPM 14,000